


Features:

- Universal AC input (90~264Vac)
- Built-in active PFC,PF>0.95
- Withstand 300Vac surge input for 5 sec
- High efficiency, long life and high reliability
- Output protection: SCP/OLP/OPP
- Wide operating ambient temperature (-20~65℃)
- Operating altitude up to 5000m
- PCB both sides with conformal coating
- All using 105 ℃ long life electrolytic capacitor
- 100% full load burn-in test
- Built-in cooling fan speed control
- 3 years warranty


SPECIFICATION

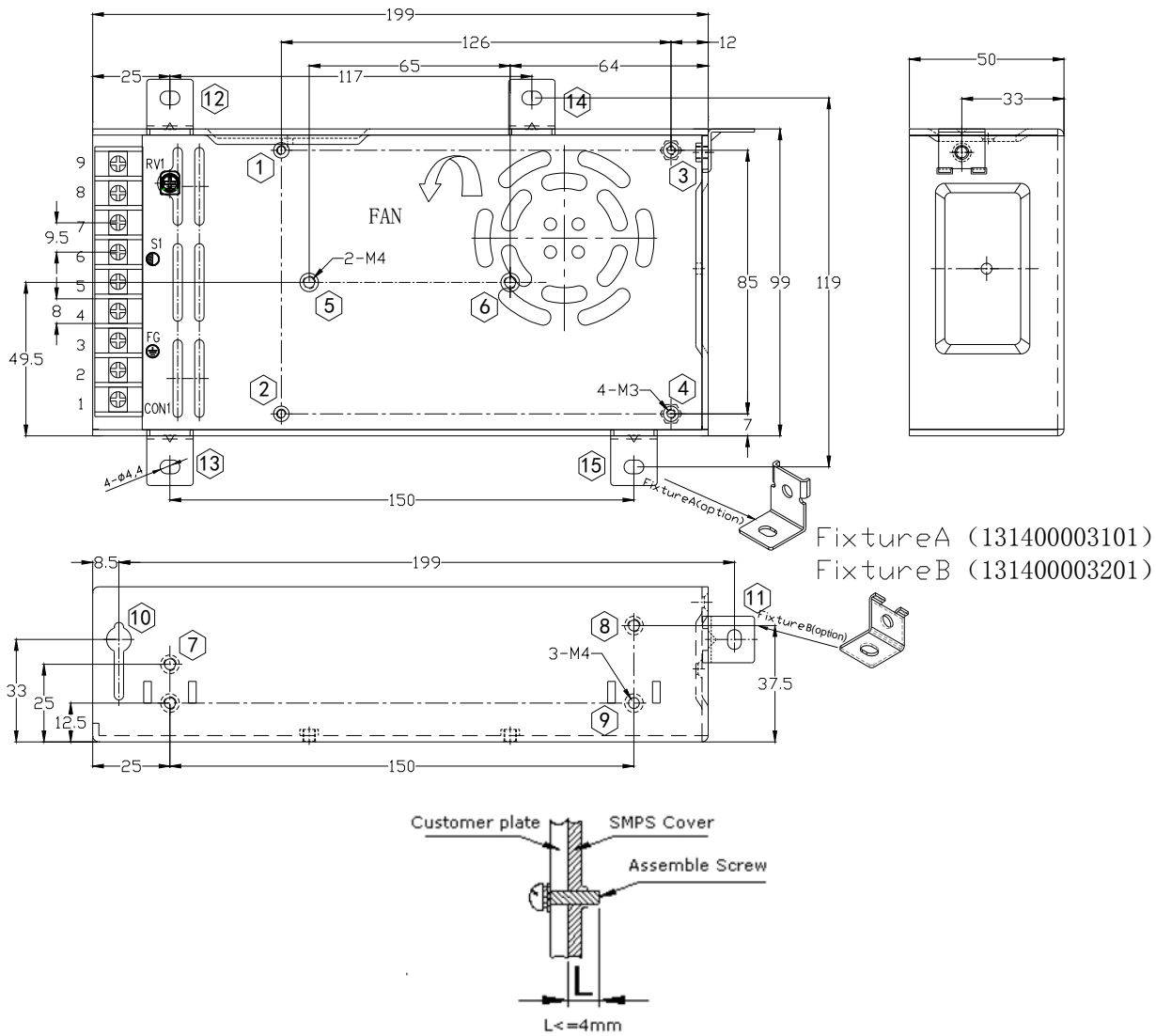
MODEL		GKF-200-12II	GKF-200-24II	GKF-200-36II	GKF-200-48II	
OUTPUT	DC Output	12V	24V	36V	48V	
	Rated Current	16.7A	8.4A	5.6A	4.2A	
	Current Range Note 1	0~16.7A	0~8.4A	0~5.6A	0~4.2A	
	Ripple and Noise	0~65C	≤150mV	≤150mV	≤200mV	≤150mV
		Note 2 -20~0C	≤200mV	≤200mV	≤200mV	≤200mV
	Voltage ADJ. Range	9~15V	20~27V	32~40V	40~53V	
	Voltage Accuracy	±2.0%	±1.0%			
	Line Regulation	±0.5%				
	Load Regulation	±2.0%	±1.0%			
	Set-up Time	≤2S (230Vac input, Full load)		≤4S (120Vac input, Full load)		
	Hold up Time	≥12mS (230Vac input, Full load)				
	Temperature Coefficient	±0.03%/℃				
	Overshoot and Undershoot	<5.0%				
INPUT	Voltage Range	90Vac~264Vac,120Vdc~370Vdc				
	Frequency Range	47Hz~63Hz				
	Power Factor(Typical)	PF>0.98/115VAC		PF>0.95/230VAC		
	Efficiency (Typical) @ 230Vac	≥84%	≥87%	≥86.5%	≥87%	
	AC Current (max.)	< 3.5A				
	Inrush Current (Typical)	<50A@220Vac		<30A@110Vac Cold start		
	Leakage Current	Input—output:<0.25mA		Input—PG:<3.5mA		
PROTECTION	Over Load	18~30A	10~15A	5.88~8.8A	5~7.56A	
		Protection type: Hiccup mode, auto recovery				
	Over power	216~360W	240~360W	210~320W	240~363W	
		Protection type: Hiccup mode, auto recovery				
Short Circuit	Long-term mode, auto recovery					
ENVIRONMENT	Operating amb. Temp. & Hum.	-20℃~65℃; 20%~90%RH No condensing(refer to the derating curve)				
	Vibration	10 ~ 150Hz, 2G 10min./1cycle, period for60min. each along X,Y, Z axes				
	Storage Temp. & Hum.	-40℃~85℃; 10%~95%RH No condensing				
SAFETY & EMC (Note 3)	Safety Standards	UL 62368-1 2nd Ed; IEC 62368-1:2005 ;EN 62368-1				
	Withstand Voltage	Primary-Secondary: 3.0KVac; ≤10mA .Primary-PG: 1.5KVac; ≤10mA. Secondary-PG: 0.5KVDC;				
	Isolation Resistance	10M ohms				
	EMI Conduction&Radiation	Compliance to EN55032, EN55035, FCC PART 15 Class B				
	EMS Immunity	Compliance to EN61000-4-2,3,4,5,6,8,11;				
OTHERS	MTBF (MIL-HDBK-217F)	More than 200,000Hrs (25℃, Full load)				
	Dimension (L*W*H)	199×99×50mm				
	Packing	12PCS/CTN, 11.4KGS, 0.04CBM				
	Cooling method	Cooling by forced air (built-in DC fan)				

NOTE

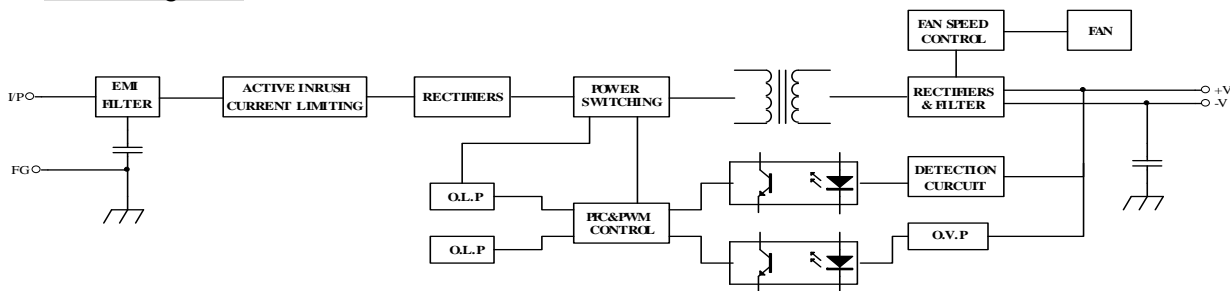
1. All parameters NOT specially mentioned are measured at rated input, rated load and 25°C of ambient temperature.
2. Measured at 20MHz of bandwidth by using a 12" twisted pair-wire terminated with a 0.1 uF & 47uF parallel capacitor.
3. The power supply is considered as a component which will be installed into a final equipment. The final equipment must be re-confirmed that it still meets EMC directives. For guidance on how to perform these EMC tests, please refer to "EMI testing of component power supplies" on <http://www.powerld.com.cn>.

Mechanical Specification

unit:mm



Block Diagram



Derating Curve

